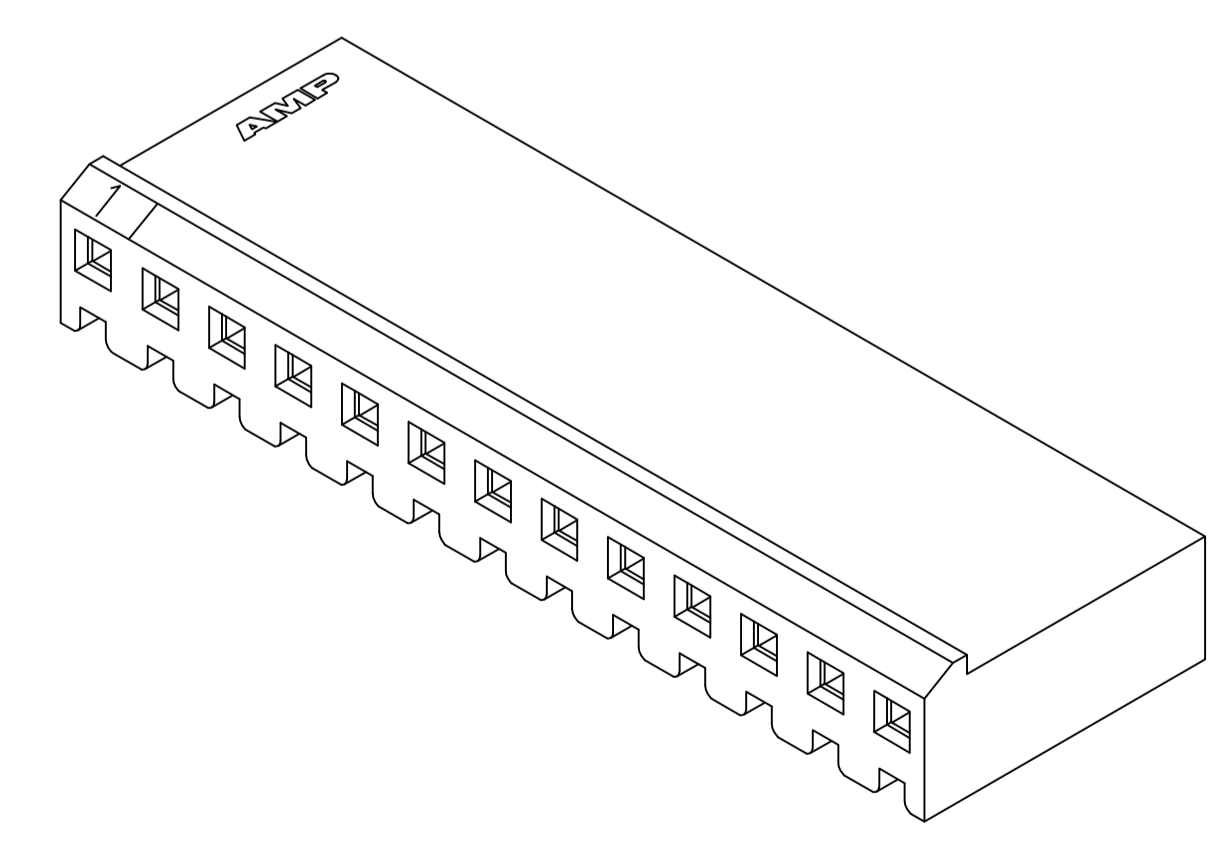
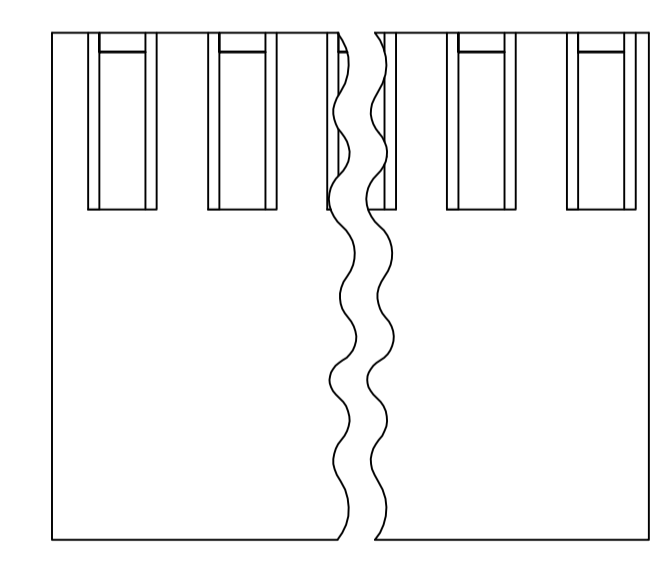
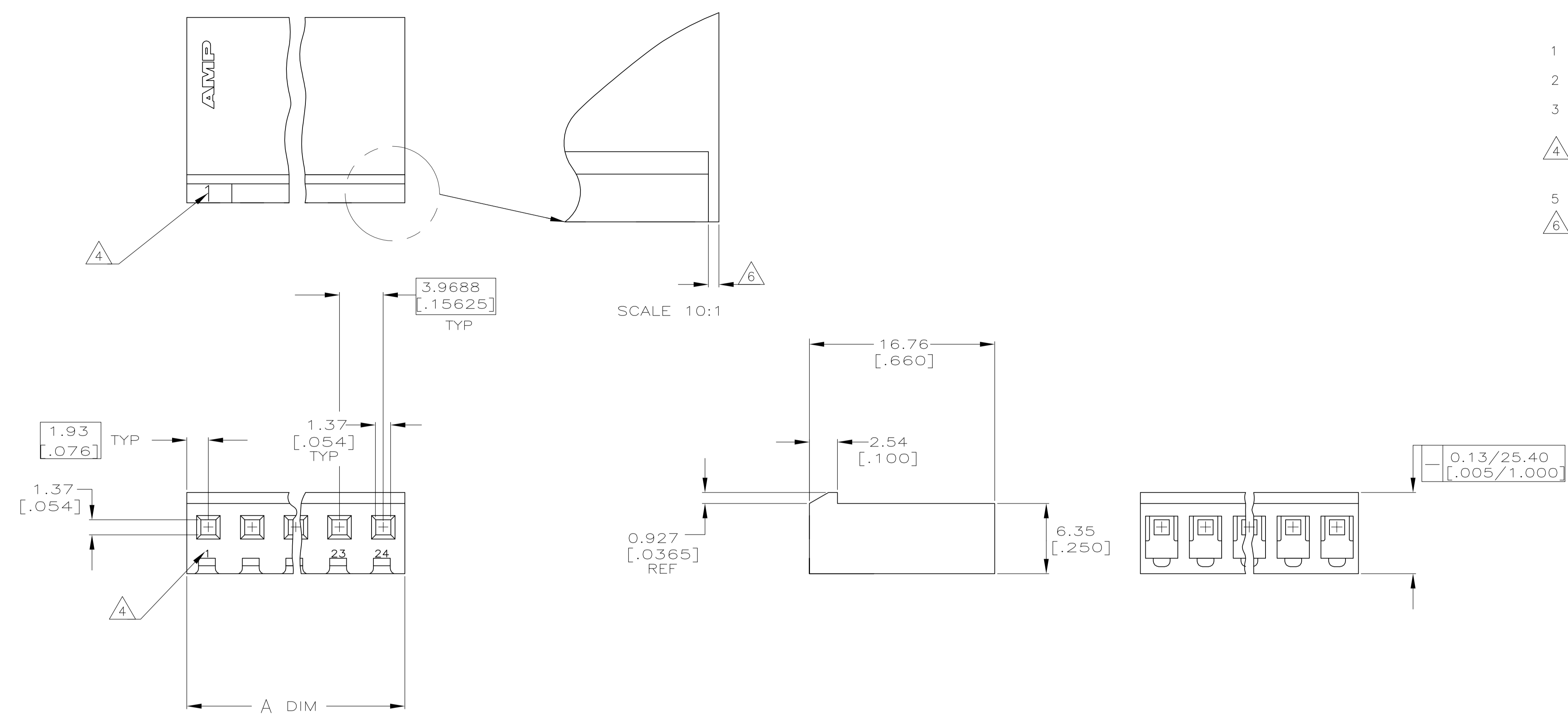


LOC	DIST	REVISIONS			
P	LTR	DESCRIPTION	DATE	DWN	APVD
V		REVISED PER ECO-12-007807	06AUG12	KH	SM

- 1 UNIT ACCEPTS 1.14 [.045] SQUARE OR ROUND POST.
- 2 UNIT ACCEPTS STANDARD SL-156 CONTACTS.
- 3 UNIT ACCEPTS KEYING PLUG 640254-1 AND KEYING PIN 640255-1.
- 4 CIRCUIT I.D. NUMBER(S), TO BE LOCATED SEQUENTIALLY AS SHOWN OR ONLY NO.1 CIRCUIT PLACED ON LOCKING RAMP.
- 5 DIMENSIONS IN BRACKETS ARE IN INCHES.
- 6 OPTIONAL CONSTRUCTION (BOTH CORNERS) UP TO 0.38 [.015] FOR P/N -1 THRU -5, UP TO 1.27 [.050] FOR P/N -6 THRU 2--4.



NO. OF CIRCUITS	NO. OF CONTACTS	NO. OF KEYING PLUGS	NO. OF KEYING PINS
24	24	24	24
23	23	23	23
22	22	22	22
21	21	21	21
20	20	20	20
19	19	19	19
18	18	18	18
17	17	17	17
16	16	16	16
15	15	15	15
14	14	14	14
13	13	13	13
12	12	12	12
11	11	11	11
10	10	10	10
9	9	9	9
8	8	8	8
7	7	7	7
6	6	6	6
5	5	5	5
4	4	4	4
3	3	3	3
2	2	2	2
1	1	1	1

THIS DRAWING IS A CONTROLLED DOCUMENT.

DIMENSIONS: mm [INCHES]	TOLERANCES UNLESS OTHERWISE SPECIFIED:	DIN 7-27-92	STE TE Connectivity
0. PLC ± -	1. PLC ± -	7-27-92	TE Connectivity
2. PLC ± -	3. PLC ± 0.13 [.005]	9-28-92	TE Connectivity
4. PLC ± -	ANGLES ± 0.30°		

MATERIAL: NYLON, UL 94V-0 NATURAL FINISH: -

SIZE: A1 00779 C=640250

WEIGHT: -

CUSTOMER DRAWING SCALE: 4:1 SHEET: 1 OF 1 REV: V